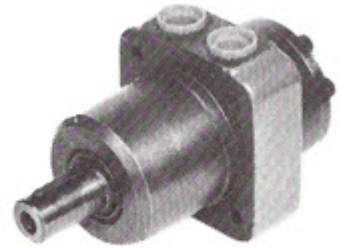


# ***F SERIES***

## ***HYDRAULIC MOTOR***

### ***HIGH TORQUE - LOW SPEED***



TYPE		AFMP								
MOTOR SIZE		25	40	50	75	100	150	200	300	400
DISPLACEMENT	cm <sup>3</sup>	25	40	49.5	79.2	99	158.4	198	316.8	396
	in <sup>3</sup>	1.82	2.44	3.02	4.83	6.04	9.66	12.1	19.3	24.16
MAX. SPEED	rpm cont.	1600	1500	1210	755	605	378	303	190	150
	rpm int.	1815	1750	1515	945	755	472	378	236	189
MAX. TORQUE	Nm cont.	33	62	94	151	193	310	360	380	360
	lbf.in cont	290	550	835	1340	1710	2740	3180	3360	3180
	Nm int.	47	82	119	195	237	370	450	560	590
	lbf.in int.	415	730	1050	1725	2100	3280	3980	4960	5240
MAX. PRESSURE DROP	bar cont.	100	120	140	140	140	140	140	90	70
	psi cont.	1450	1750	2030	2030	2030	2030	2030	1300	1015
	bar int.	140	155	175	175	175	175	175	140	115
	psi int.	2030	2250	2540	2540	2540	2540	2540	2030	1665
MAX. OIL FLOW	lpm cont.	40	60	60	60	60	60	60	60	60
	gpm cont.	8.8	13.2	13.2	13.2	13.2	13.2	13.2	13.2	13.2
	lpm int.	45	70	75	75	75	75	75	75	75
	gpm int.	9.9	15.4	16.5	16.5	16.5	16.5	16.5	16.5	16.5
WEIGHT kg	Kg	6.11	6.21	6.31	6.42	6.54	6.76	6.99	7.44	7.75

Maximum inlet pressure 3250 psi - 224 bar  
High pressure shaft seal drain line not required for most applications.

Maximum pressure drop and speed must not be reached simultaneously.  
Intermittent operation may occur for 10% max. of every minute.

At speeds lower than 10 rpm please consult our Technical Department.

Mineral based hydraulic fluids with anti-wear additives are recommended with a viscosity of 35 mm<sup>2</sup>/s at a temperature of 50 C.

Minimum recommended oil viscosity 13 mm<sup>2</sup>/s at operating temperature.

Recommended oil cleanliness ISO 19/14 with a nominal filtration of 25 micron or better.

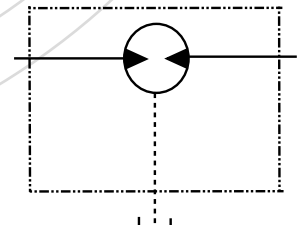
Where non-flammable fluids are to be used it is advisable to consult our Technical Department.

Ambient temperature should be between -30°C and +90°C.

Normal operating temperature should be between +30°C and +60°C.

Maximum operating temperature +85°C.

#### SYMBOL



*The policy of Adan Limited is one of continual development and the right is reserved to alter specifications without notice.*



### ADAN LIMITED

RIVERSIDE IND. ESTATE BOSTON LINCOLNSHIRE ENGLAND

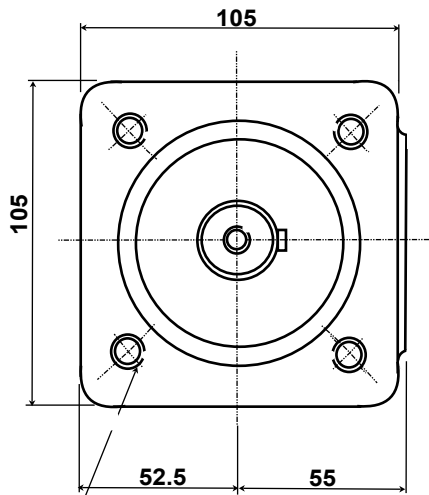
Tel: +44 (01205) 311500

email: sales@adanltd.co.uk

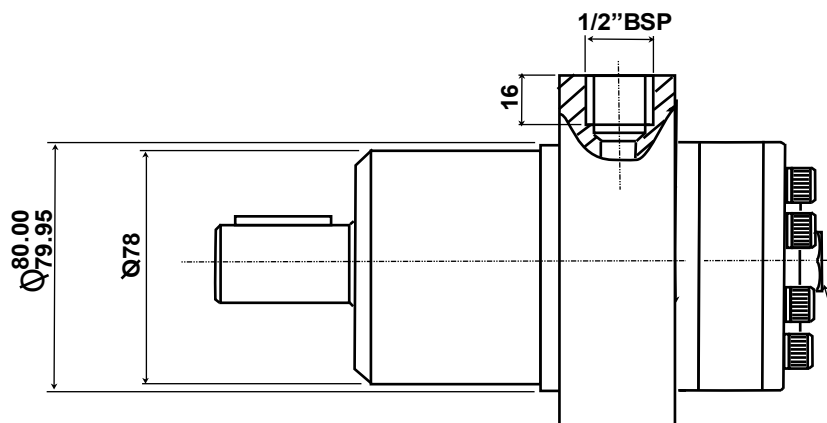
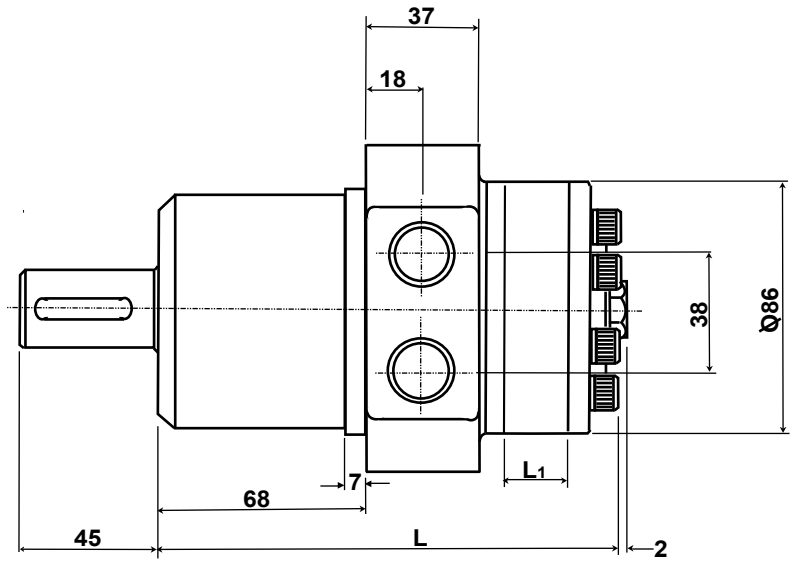
Fax: +44 (01205) 358013

website: www.adanltd.co.uk





4 Mounting Holes M10 x 20 Deep  
On 103 pcd



Drain connection 1/4" BSP  
Plugged when not required

AFMP	Size	25	40	50	75	100	150	200	300	400
L <sub>1</sub>	mm	5.2	7.4	6.7	10.7	13.3	41.3	26.7	42.7	53.3
L	mm	132.5	134.7	134.0	138.0	140.6	148.6	154.0	170.0	180.6

*The policy of Adan Limited is one of continual development and the right is reserved to alter specifications without notice.*

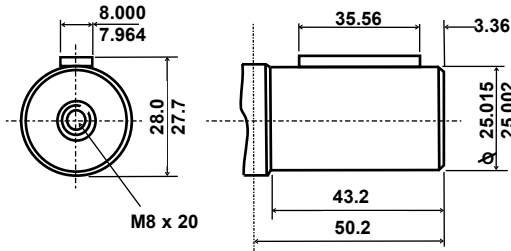


**ADAN LIMITED**

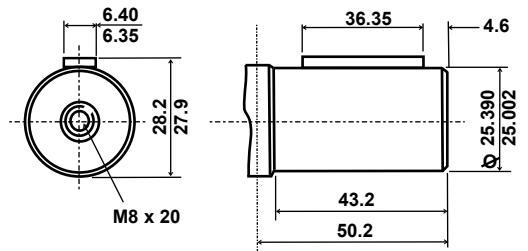
RIVERSIDE IND. ESTATE BOSTON LINCOLNSHIRE ENGLAND  
Tel: +44 (01205) 311500 Fax: +44 (01205) 358013  
email: sales@adanltd.co.uk website: www.adanltd.co.uk



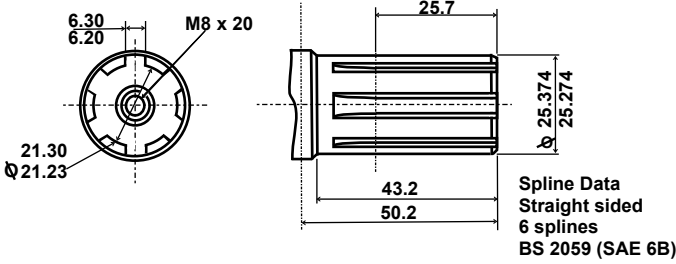
**Metric Shaft - M**



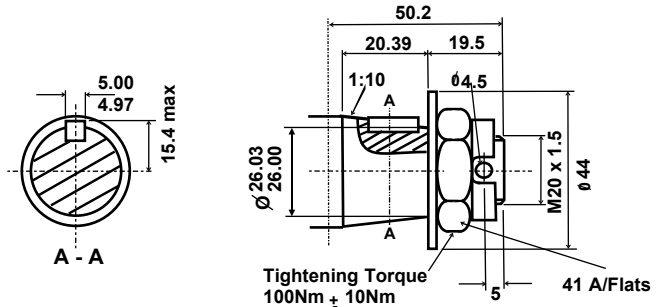
**Imperial Shaft -**



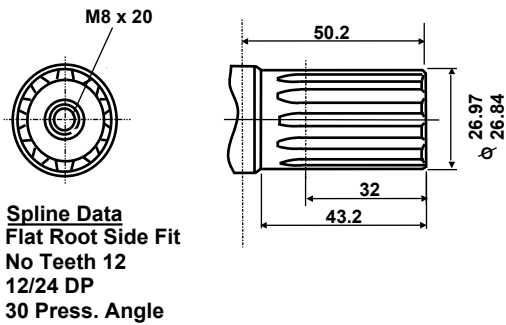
**Splined Shaft - S**



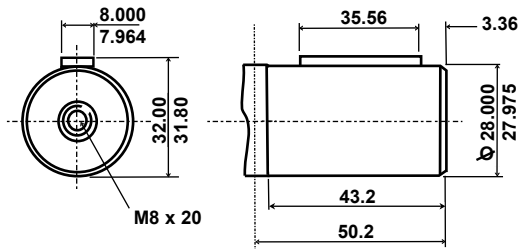
**Tapered Shaft - T**



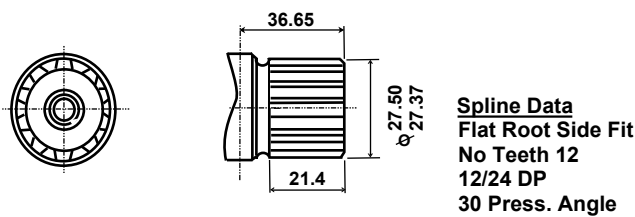
**Splined Shaft - SP**



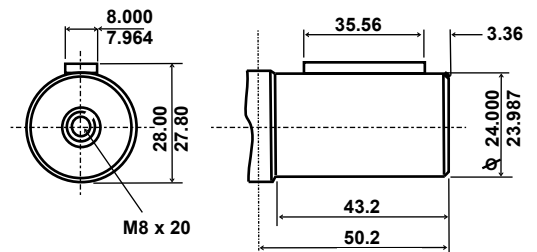
**Metric Shaft - M28**



**Splined Shaft - SS**



**Metric Shaft - M24**



**Note Torque limitations**

Shafts M, E & M24 cont. 300 Nm (2660lbf.in) int. 420 Nm (3720lbf.in)

Shafts M28, S, SP & T cont. 360 Nm (3180 lbf.in) int. 407 Nm (4160) lbf.in

The policy of Adan Limited is one of continual development and the right is reserved to alter specifications without notice.

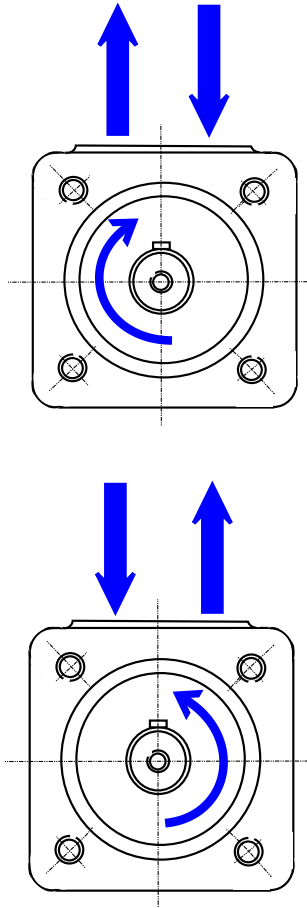


**ADAN LIMITED**

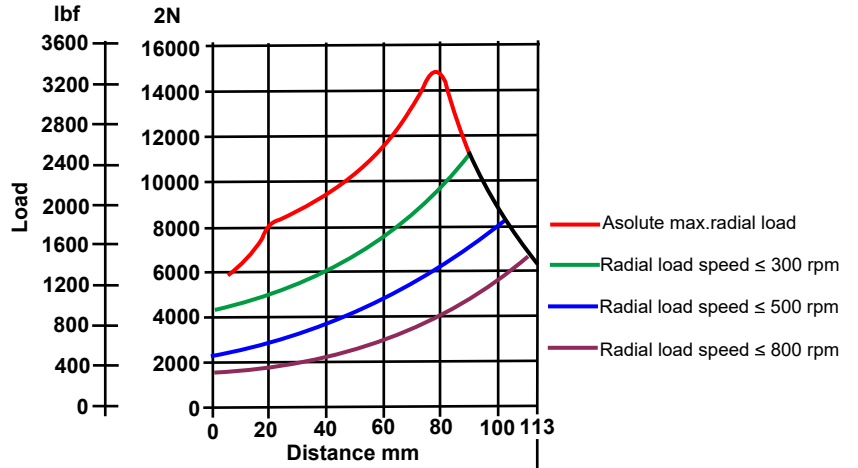
RIVERSIDE IND. ESTATE BOSTON LINCOLNSHIRE ENGLAND  
 Tel: +44 (01205) 311500 Fax: +44 (01205) 358013  
 email: sales@adanltd.co.uk website: www.adanltd.co.uk



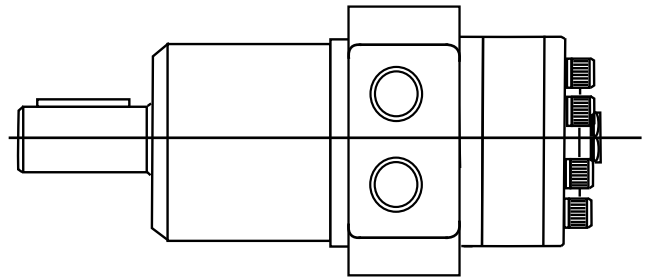
SHAFT ROTATION



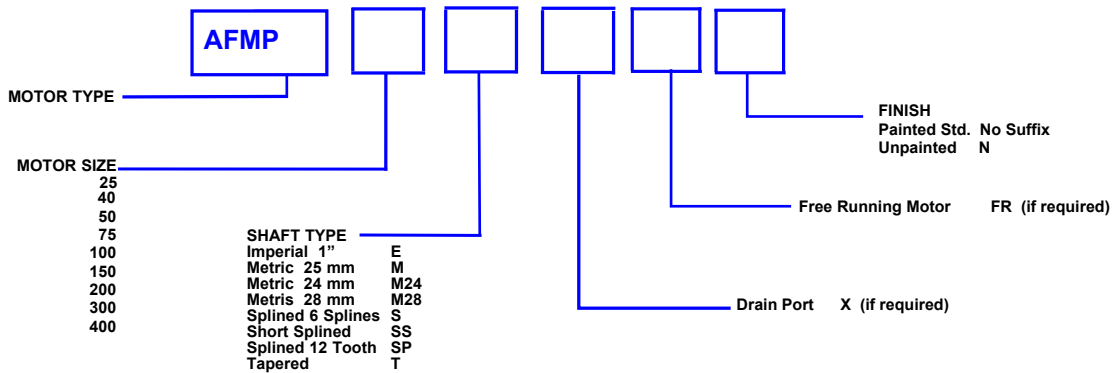
RADIAL SHAFT LOADS



330 lbf  
1408 N



ORDERING CODE



The policy of Adan Limited is one of continual development and the right is reserved to alter specifications without notice.



ADAN LIMITED

RIVERSIDE IND. ESTATE BOSTON LINCOLNSHIRE ENGLAND  
 Tel: +44 (01205) 311500 Fax: +44 (01205) 358013  
 email: sales@adanltd.co.uk website: www.adanltd.co.uk



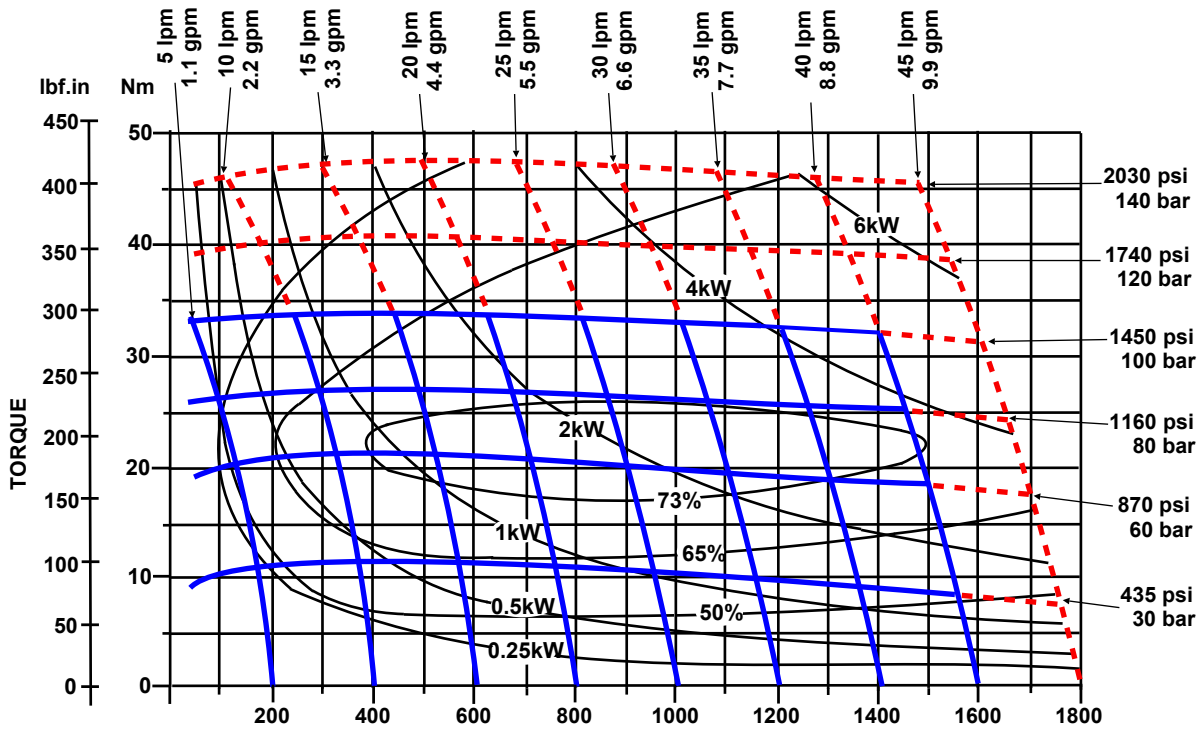
# PERFORMANCE GRAPHS 25 & 40 cc F SERIES

Solid blue lines represent continuous operation. Dotted red lines represent intermittent operation permissible for 10% of every minute.

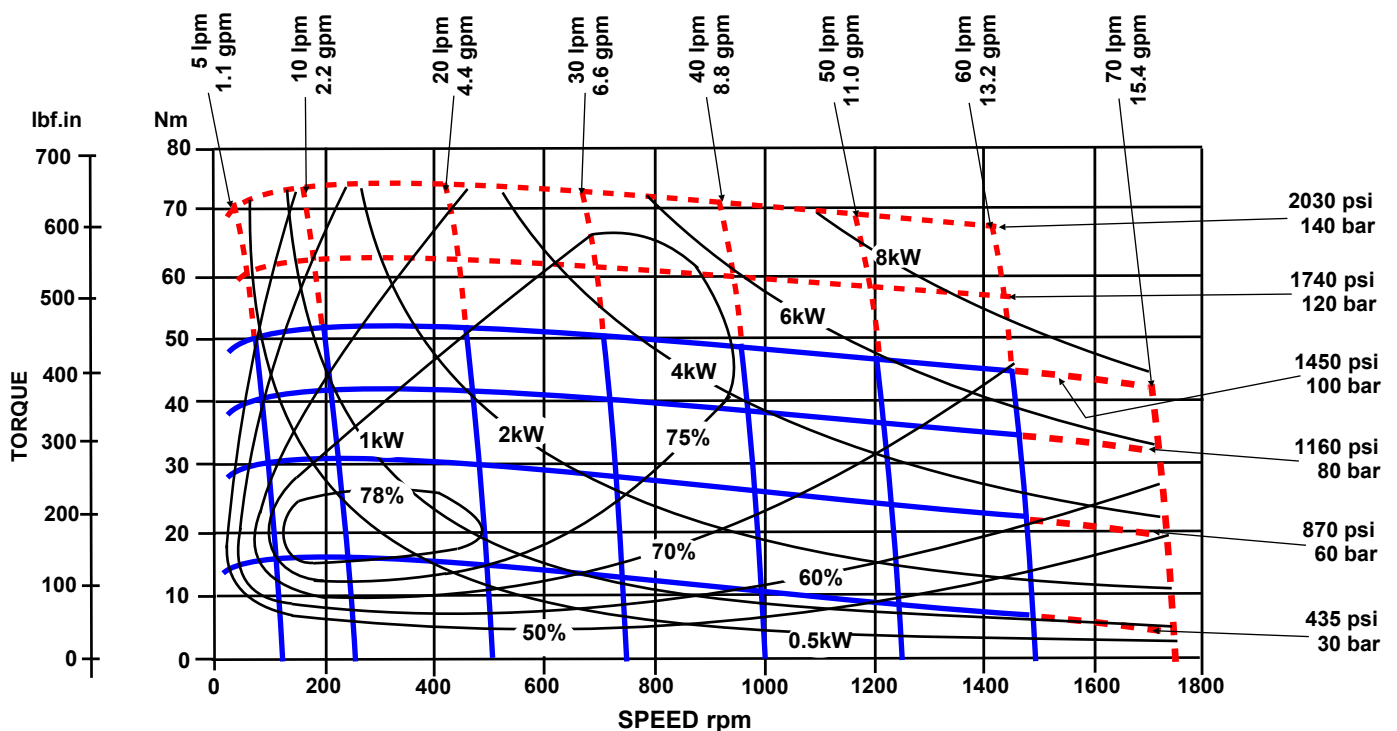
Maximum pressure drop and maximum speed must not occur simultaneously.

Maximum values are dependant on shaft type see note on page 3.

## AFMP 25



## AFMP 40



# PERFORMANCE GRAPHS 50 & 75 cc

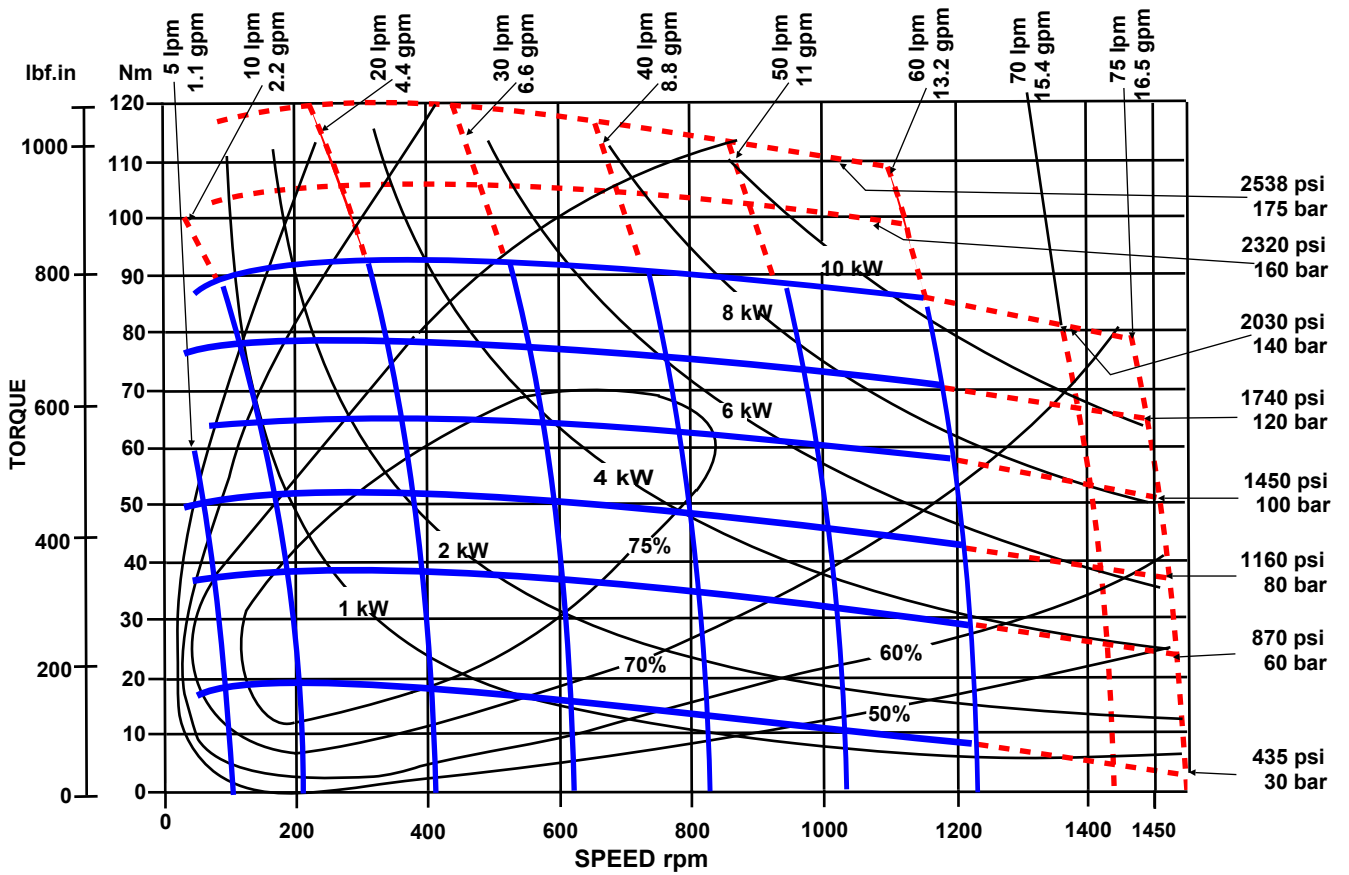
# F SERIES

Solid blue lines represent continuous operation. Dotted red lines represent intermittent operation permissible for 10% of every minute.

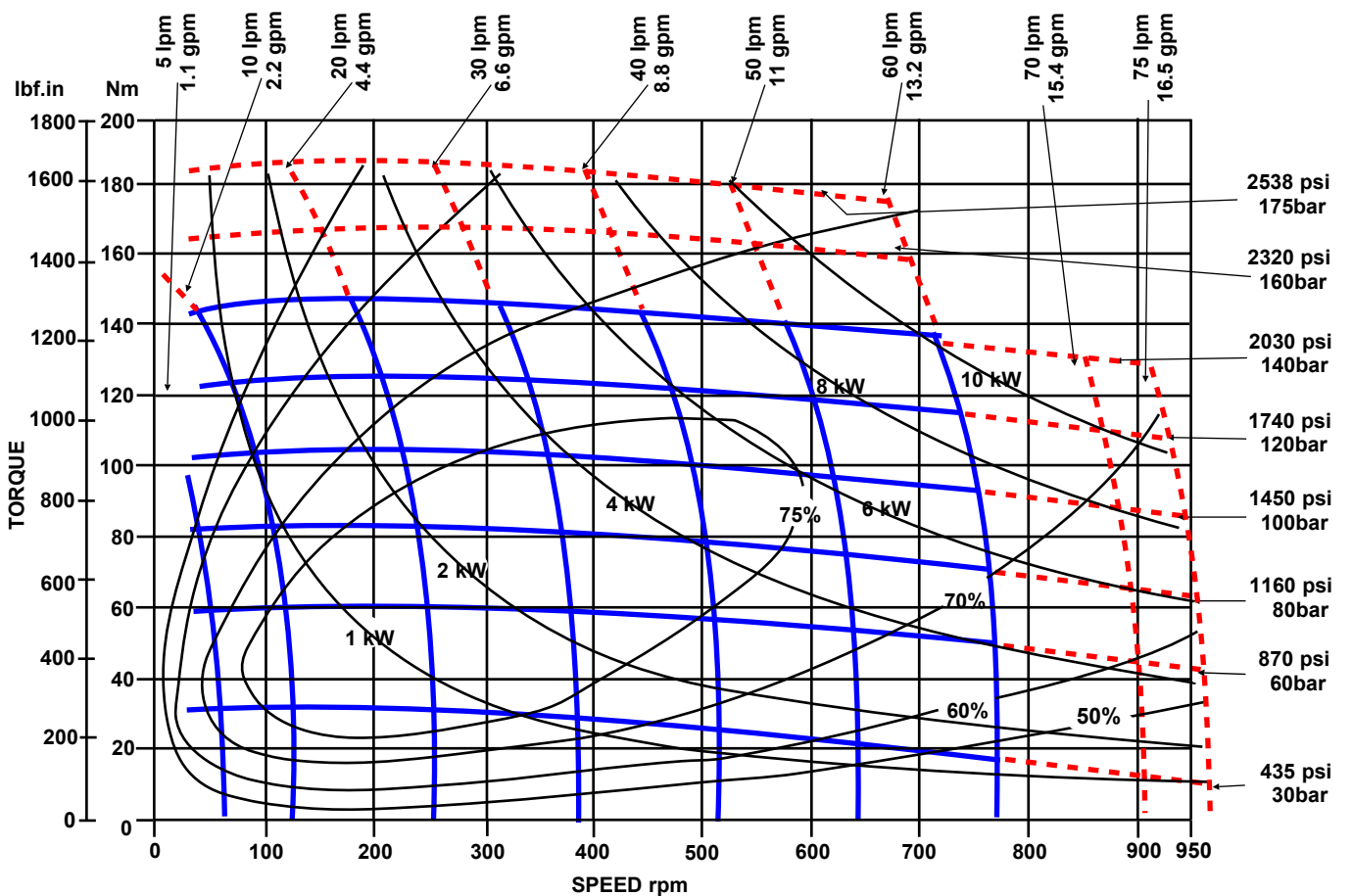
Maximum pressure drop and maximum speed must not occur simultaneously.

Maximum values are dependant on shaft type see note on page 3.

## AFMP 50



## AFMP 75



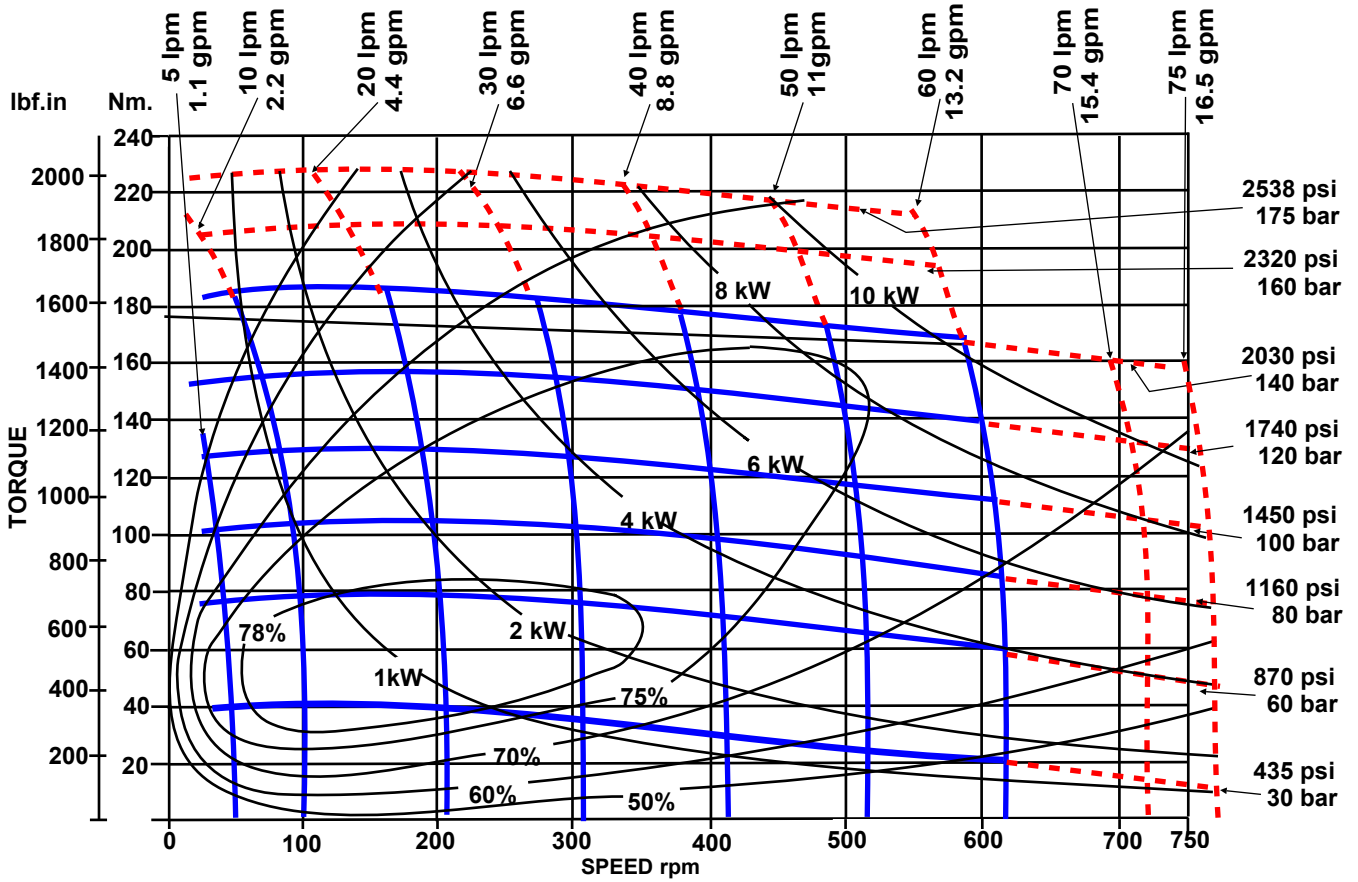
# PERFORMANCE GRAPHS 100 & 150 cc F SERIES

Solid blue lines represent continuous operation. Dotted red lines represent intermittent operation permissible for 10% of every minute.

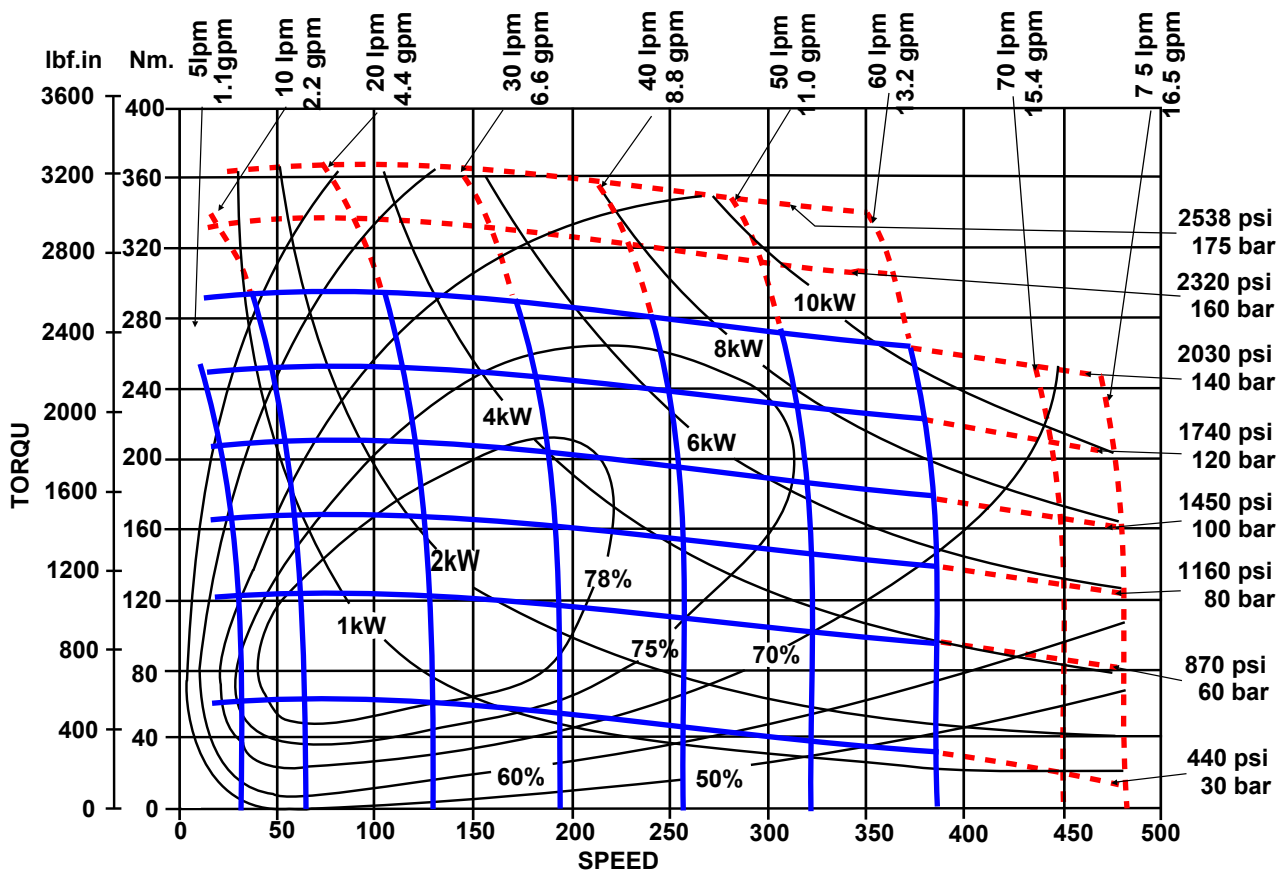
Maximum pressure drop and maximum speed must not occur simultaneously.

Maximum values are dependant on shaft type see note on page 3.

## AFMP 100



## AFMP 150



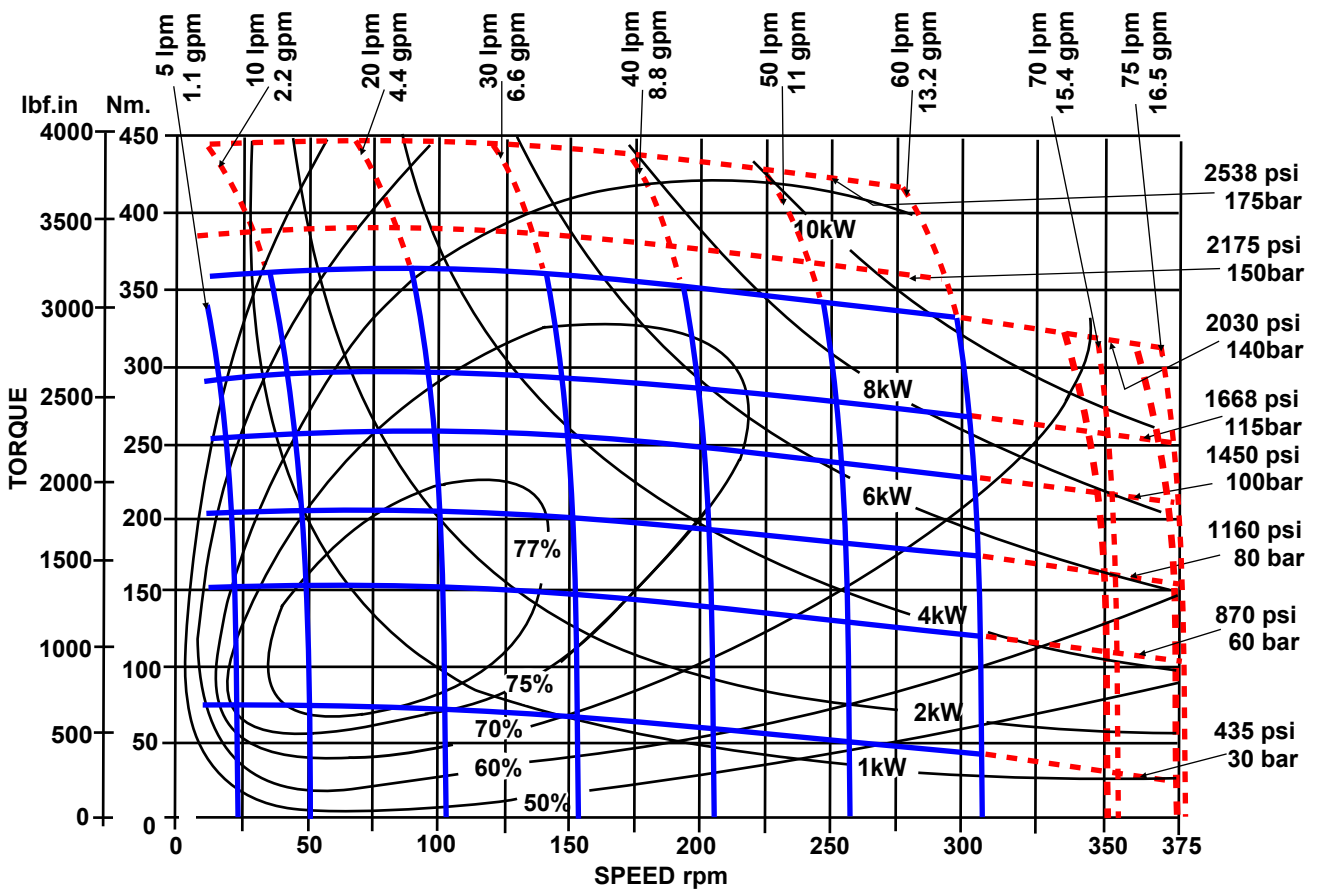
# PERFORMANCE GRAPHS 200 & 300 cc F SERIES

Solid blue lines represent continuous operation. Dotted red lines represent intermittent operation permissible for 10% of every minute.

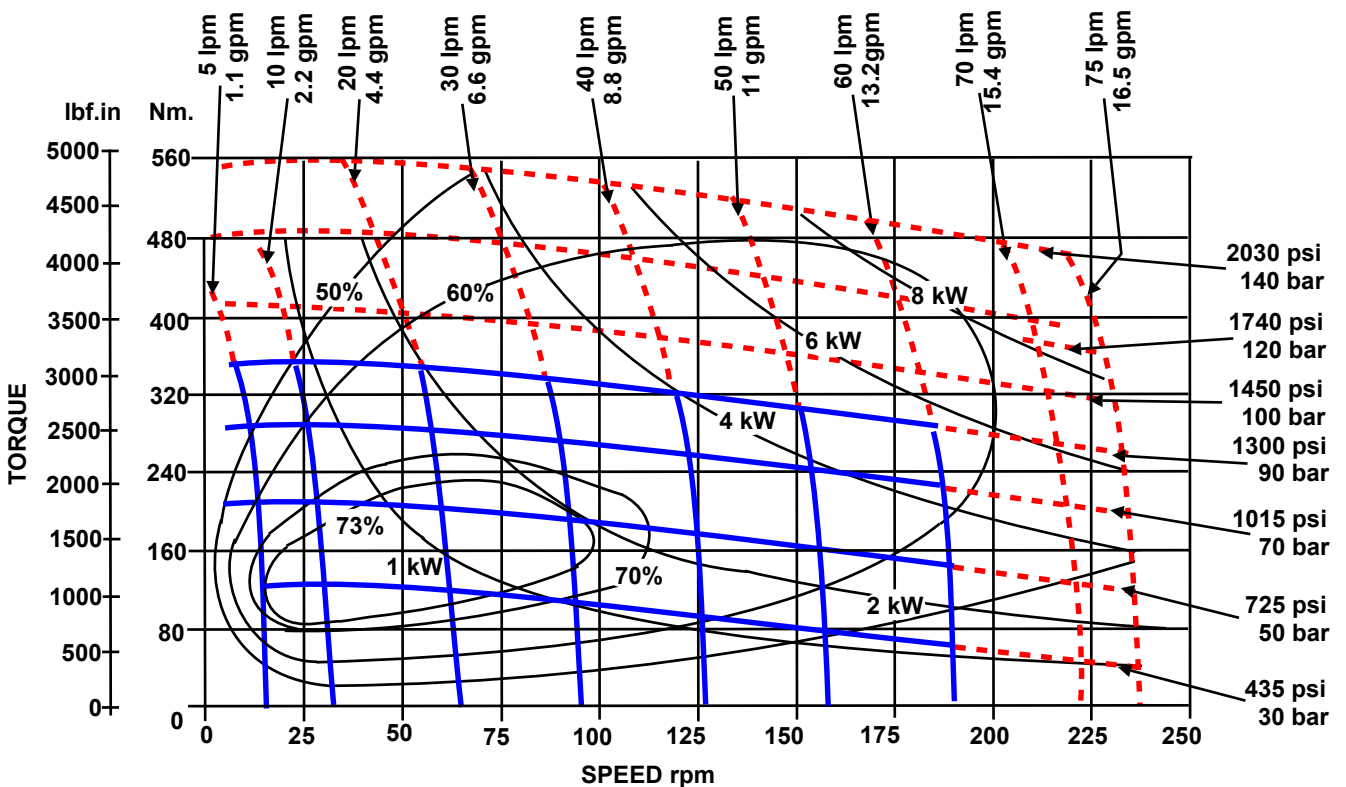
Maximum pressure drop and maximum speed must not occur simultaneously.

Maximum values are dependant on shaft type see note on page 3.

## AFMP 200



## AFMP 300





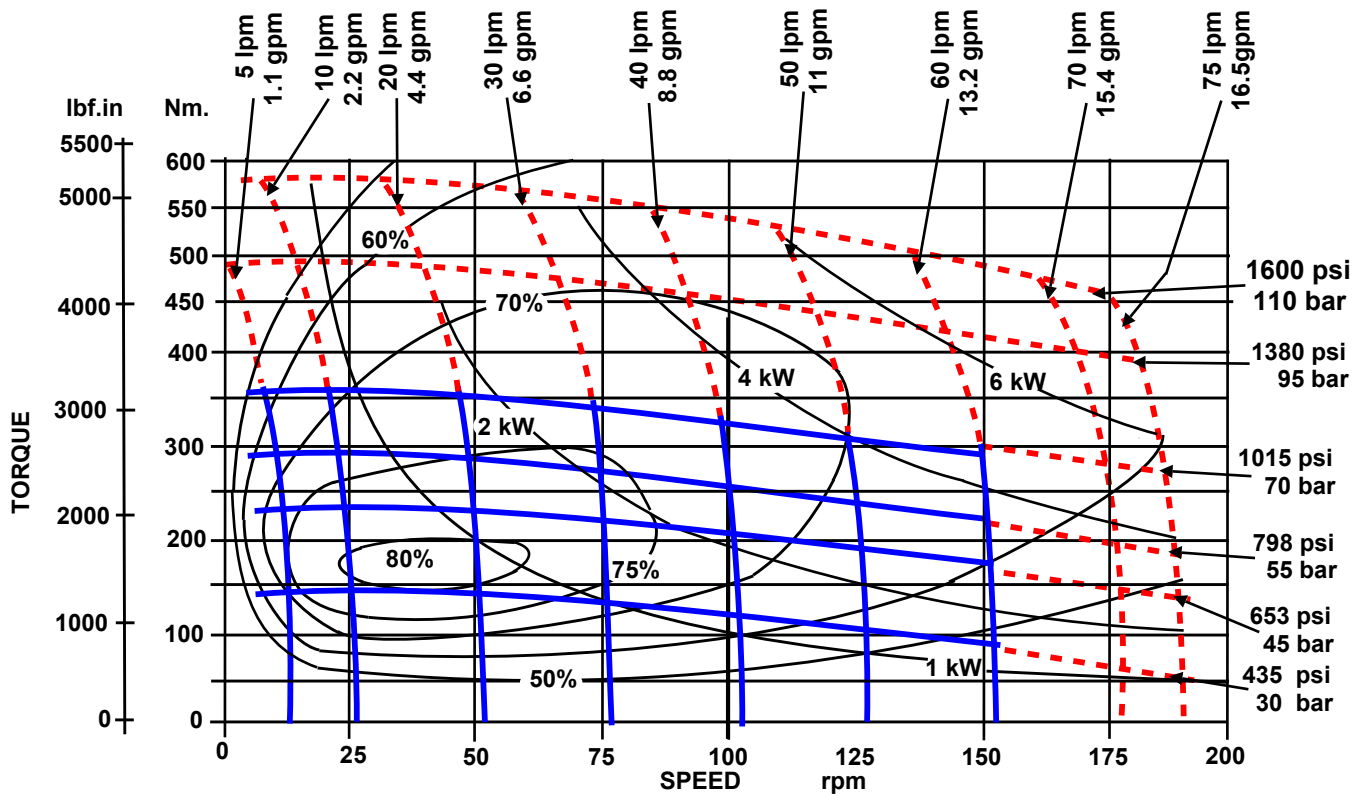
# PERFORMANCE GRAPHS 400 cc F SERIES

Solid blue lines represent continuous operation. Dotted red lines represent intermittent operation permissible for 10% of every minute.

Maximum pressure drop and maximum speed must not occur simultaneously.

Maximum values are dependant on shaft type see note on page 3.

## AFMP 400



The policy of Adan Limited is one of continual development and the right is reserved to alter specifications without notice.



### ADAN LIMITED

RIVERSIDE IND. ESTATE BOSTON LINCOLNSHIRE ENGLAND  
 Tel: +44 (01205) 311500 Fax: +44 (01205) 358013  
 email: sales@adanltd.co.uk website: www.adanltd.co.uk

