

MV SERIES

HYDRAULIC MOTOR

HIGH TORQUE - LOW SPEED

TYPE		MV SERIES						
MOTOR SIZE		300	400	500	630	800	960	
DISPLACEMENT	cm ³	308	382	500	629	801	960	
	in ³	18.8	23.3	30.5	38.4	48.9	58.6	
MAX. SPEED	rpm cont.	510	500	400	315	250	200	
	rpm int.	630	600	480	380	300	250	
MAX. TORQUE	Nm cont.	920	1180	1460	1660	1880	1480	
	lbf.in cont.	8140	10440	12920	14960	16640	13100	
	Nm int.	1100	1410	1760	1940	2110	2125	
	lbf.in int.	9820	12480	15580	17170	18680	18810	
MAX. PRESSURE DROP	bar cont.	200	200	200	180	160	105	
	psi int.	2900	2900	2900	2610	2320	1520	
	bar int.	240	240	240	210	180	150	
	psi int.	3480	3480	3480	3050	2610	2175	
MAX. OIL FLOW	lpm cont.	160	200	200	200	200	190	
	gpm cont.	35.2	44.0	44.0	44.0	44.0	41.9	
	lpm int.	200	240	240	240	240	240	
	gpm int.	44.0	52.9	52.9	52.9	52.9	52.9	
WEIGHT	MVAP	kg	29.5	30.5	32.1	33.3	34.9	38.7
	MVWP	kg	31.5	32.5	34.1	35.3	36.9	40.7
	MVS	kg	22.5	23.5	25.1	26.3	27.9	31.7

Maximum inlet pressure 4350 psi - 300 bar
 High pressure shaft seal drain line not required for most applications.

Maximum pressure drop and speed must not be reached simultaneously.
 Intermittent operation may occur for 10% max. of every minute.

At speeds lower than 10 rpm please consult our Technical Department.

Mineral based hydraulic fluids with anti-wear additives are recommended with a viscosity of 35 mm²/s at a temperature of 50 C.

Minimum recommended oil viscosity 13 mm²/s at operating temperature.

Recommended oil cleanliness ISO 19/14 with a nominal filtration of 25 micron or better.

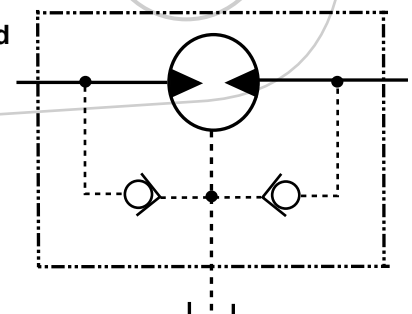
Where non-flammable fluids are to be used it is advisable to consult our Technical Department.

Ambient temperature should be between -30°C and +90°C.

Normal operating temperature should be between +30°C and +60°C.

Maximum operating temperature +85°C.

SYMBOL



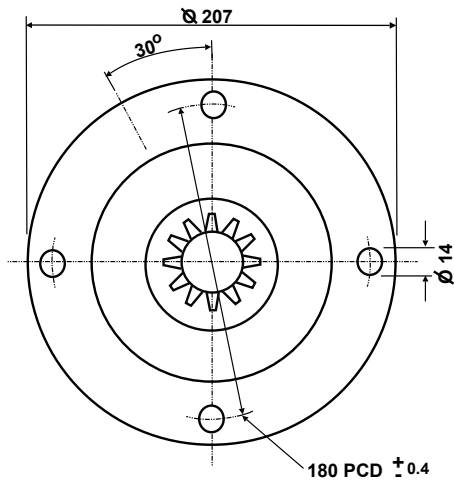
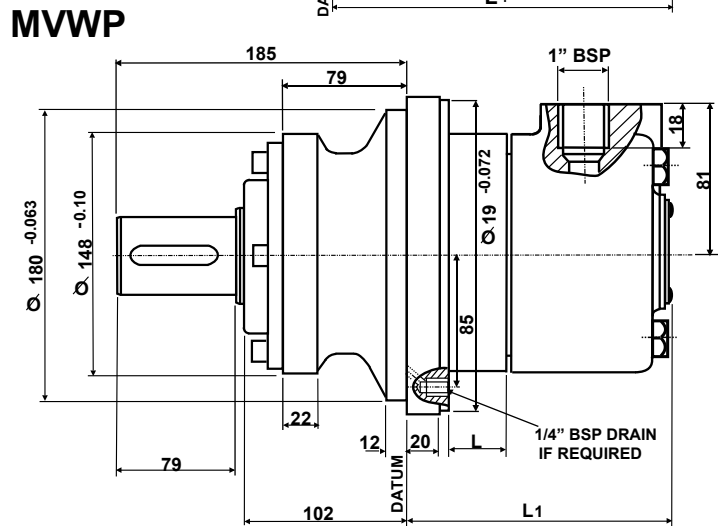
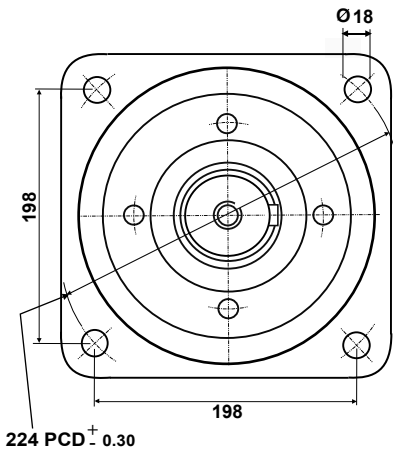
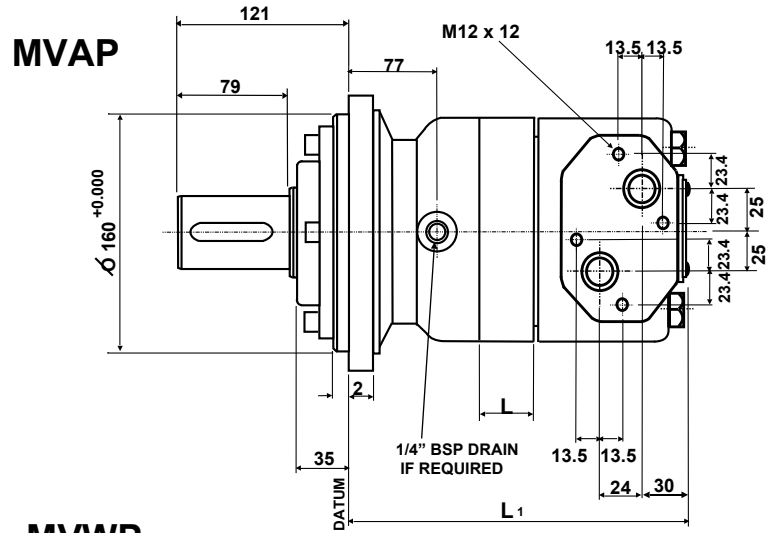
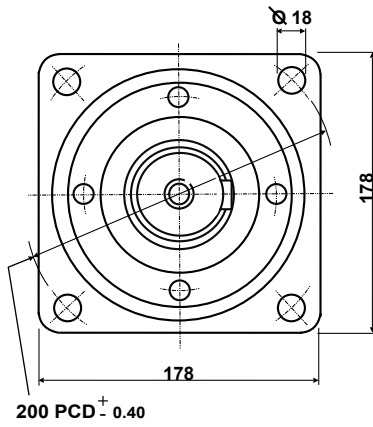
The policy of Adan Limited is one of continual development and the right is reserved to alter specifications without notice.



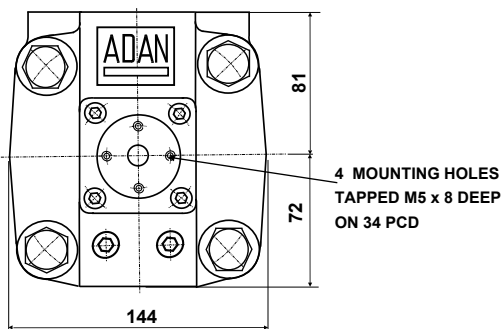
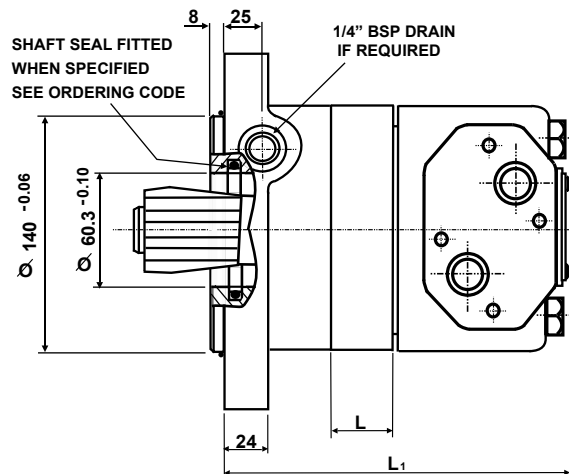
ADAN LIMITED

RIVERSIDE IND. ESTATE BOSTON LINCOLNSHIRE ENGLAND
 Tel: +44 (01205) 311500 Fax: +44 (01205) 358013
 email: sales@adanltd.co.uk website: www.adanltd.co.uk

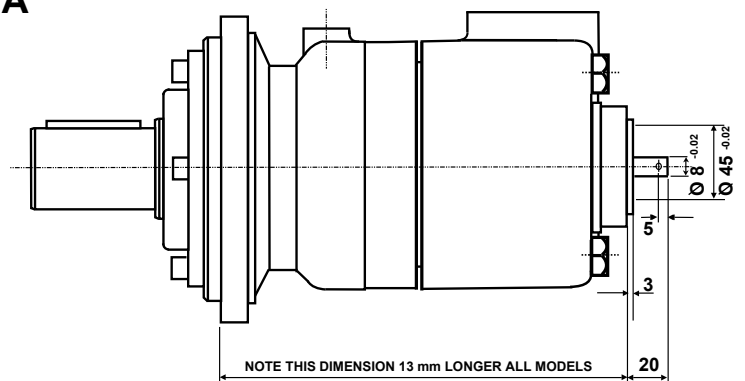


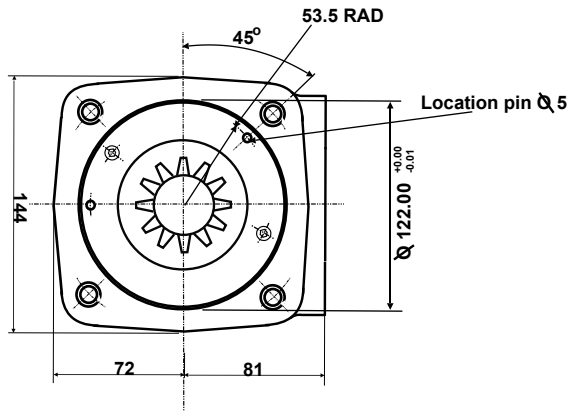


MVS

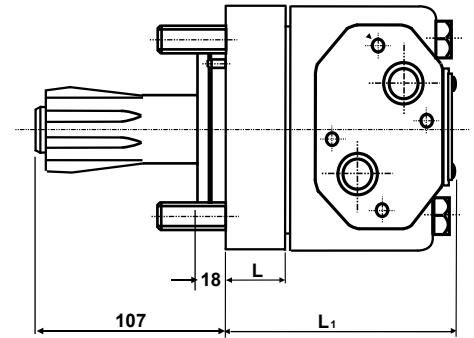


MV-TA



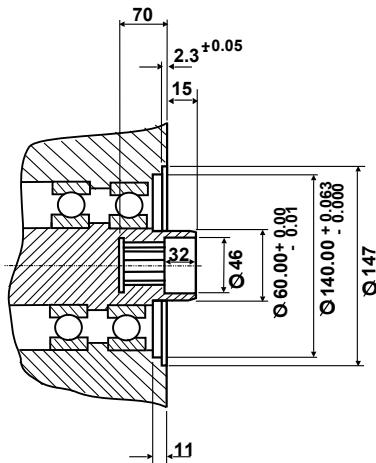


MVSS

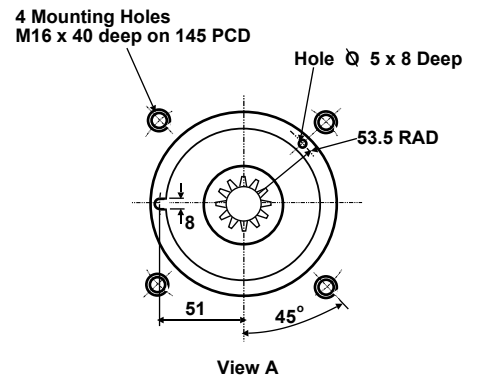
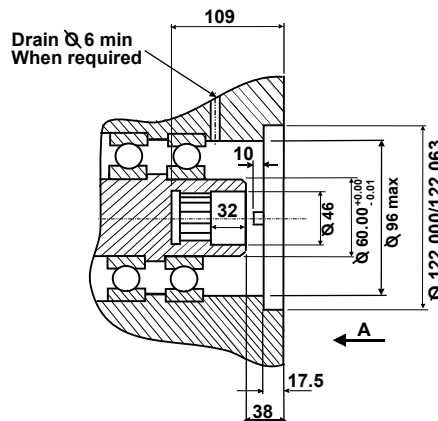


Motor size	Dimn.	300	400	500	630	800	960
ALL TYPES	L	21.5	27.5	37.5	47.5	61.4	74.5
MVAP	L ₁	217.0	223.0	233.0	243.0	256.9	270.0
MVWP	L ₁	150.0	156.0	166.0	176.0	189.9	203.0
MVS	L ₁	180.0	186.0	196.0	206.0	219.9	233.0
MVSS	L ₁	124.5	130.5	140.5	150.5	164.4	177.5

MATING DIMENSIONS MVS



MATING DIMENSIONS MVSS



INTERNAL SPLINE DATA

FILLET ROOT SIDE FIT, 16 TEETH, 10/20 DP, 30° PRESSURE ANGLE, PITCH DIA. 40.64, MAJOR DIA. 45.2/45.6, MINOR DIA. 38.500/38.5039, FILLET RAD. 0.4, MEASUREMENT BETWEEN 5.6000/5.6001 DIA. PINS 32.47/32.62

MATING COMPONENT MATERIAL
 CASE HARDENING STEEL
 TREATED TO 58/60 ROCKWELL 'C'
 0.7 mm CASE DEPTH.

IMPORTANT

When using MVS or MVSS motors a drain line is required if the pressure in the return line exceeds the permissible pressure of the seal fitted to the attached component.
 The drain line if fitted should be run to tank in such a way that there is no risk of the motor or component being drained of oil when at rest.

The policy of Adan Limited is one of continual development and the right is reserved to alter specifications without notice.

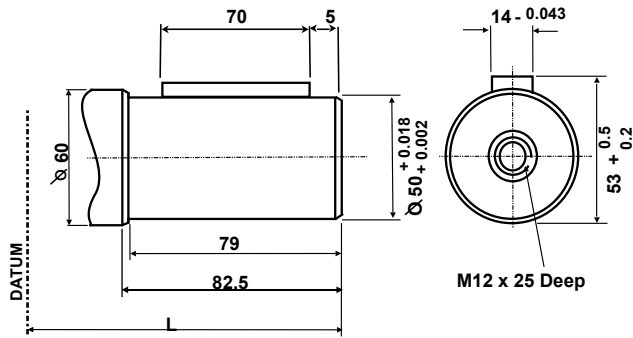


ADAN LIMITED

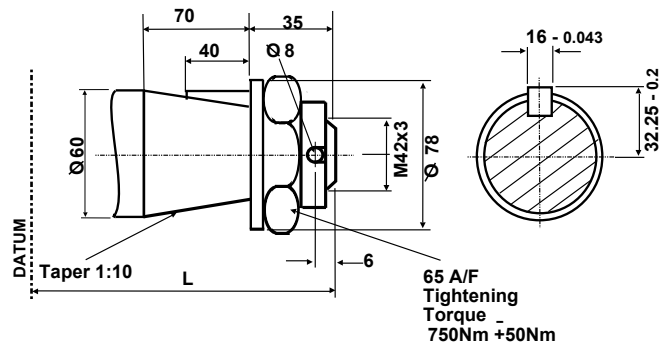
RIVERSIDE IND. ESTATE BOSTON LINCOLNSHIRE ENGLAND
 Tel: +44 (01205) 311500 Fax: +44 (01205) 358013
 email: sales@adanltd.co.uk website: www.adanltd.co.uk



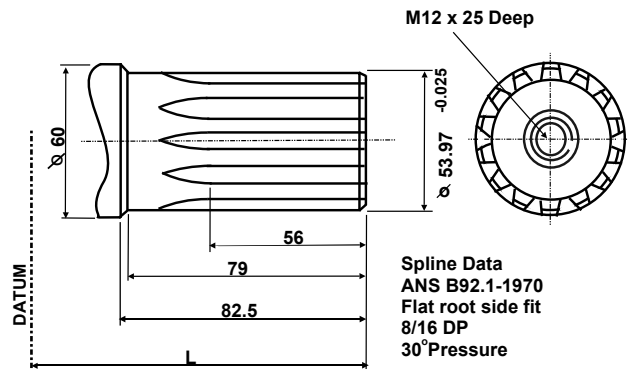
Standard 50 mm Shaft - P



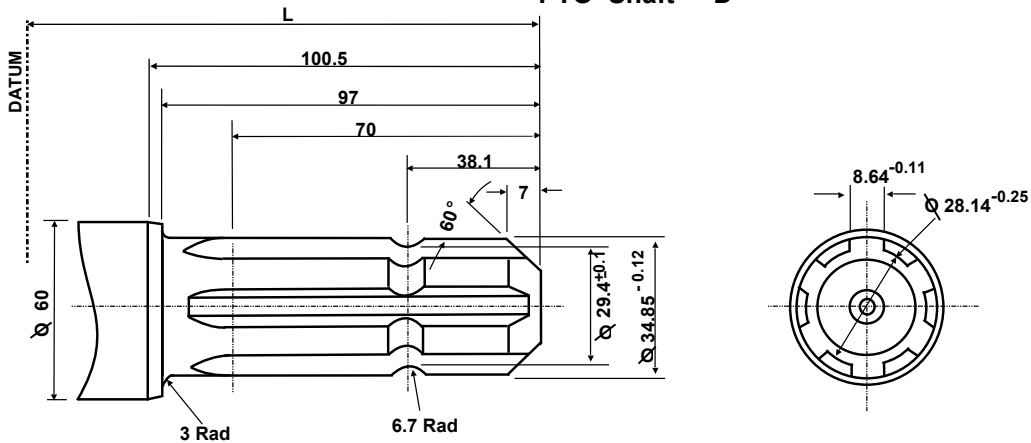
Tapered Shaft - T



Splined Shaft 16 Teeth - S



PTO Shaft - D



Dim.	MOTOR TYPE	SHAFT TYPE			
		P	T	S	D
L	MVAP	121.0	144.0	121.0	139.0
	MVWP	185.0	211.0	185.0	204.0

Special shafts can be supplied in most cases
Please consult our Technical Department about your requirements

The policy of Adan Limited is one of continual development and the right is reserved to alter specifications without notice.



ADAN LIMITED

RIVERSIDE IND. ESTATE BOSTON LINCOLNSHIRE ENGLAND

Tel: +44 (01205) 311500

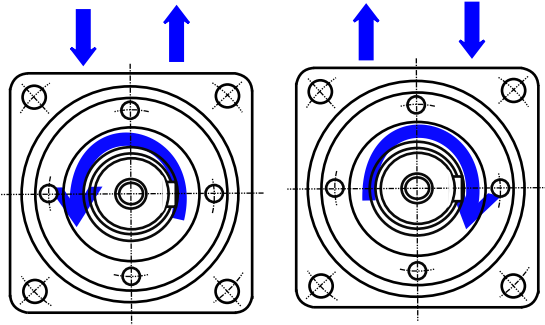
email: sales@adanltd.co.uk

Fax: +44 (01205) 358013

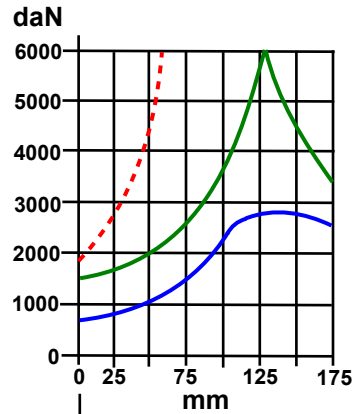
website: www.adanltd.co.uk



SHAFT ROTATION

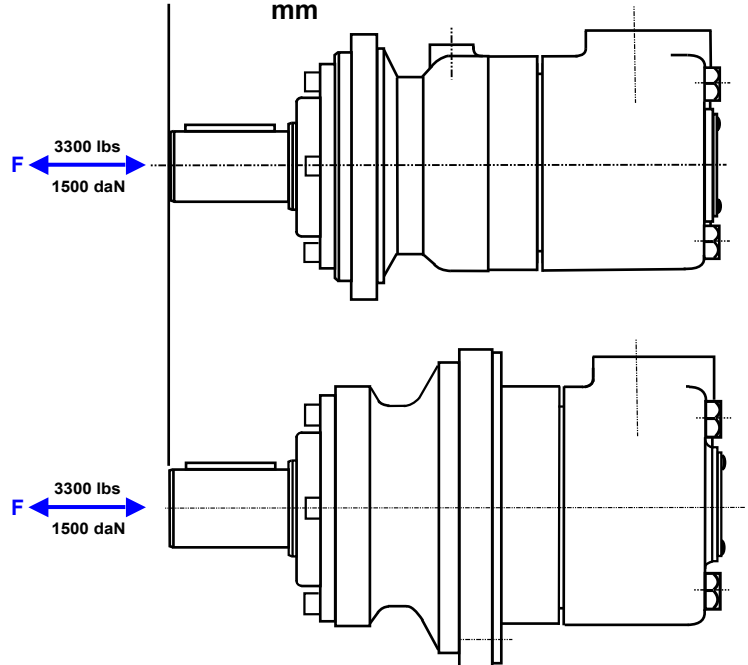


SHAFT LOADINGS

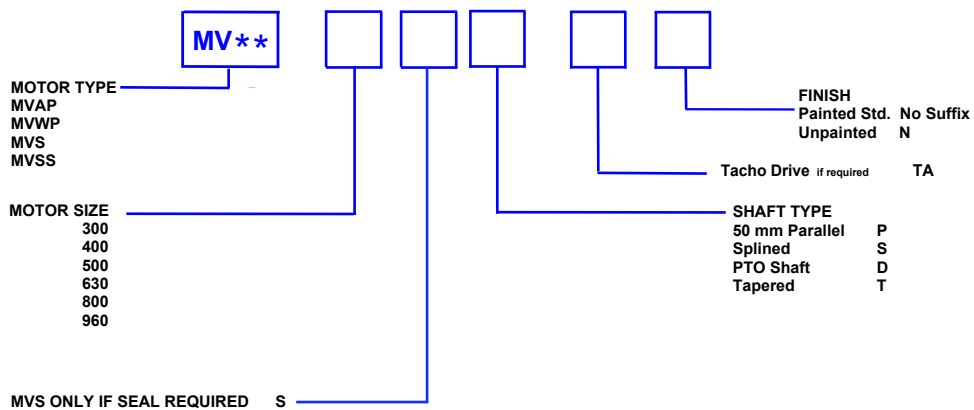


- Radial load if F = 0 N
- Radial load if F = 10000 N
- - - Absolute max. Radial load

The curves in Green and Blue are based on a B10 bearing life of 3000 hours at 200 rpm



ORDERING CODE



The policy of Adan Limited is one of continual development and the right is reserved to alter specifications without notice.



ADAN LIMITED

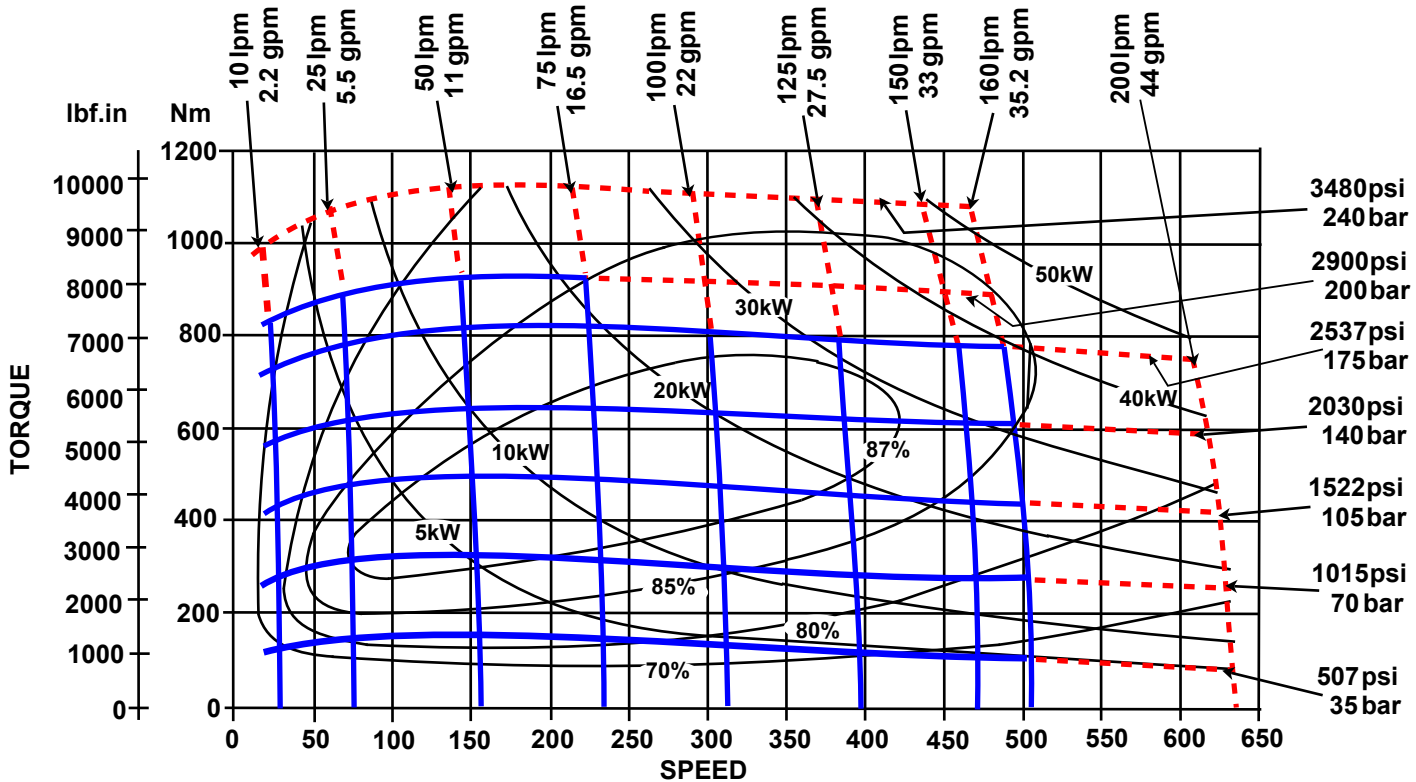
RIVERSIDE IND. ESTATE BOSTON LINCOLNSHIRE ENGLAND
 Tel: +44 (01205) 311500 Fax: +44 (01205) 358013
 email: sales@adanltd.co.uk website: www.adanltd.co.uk



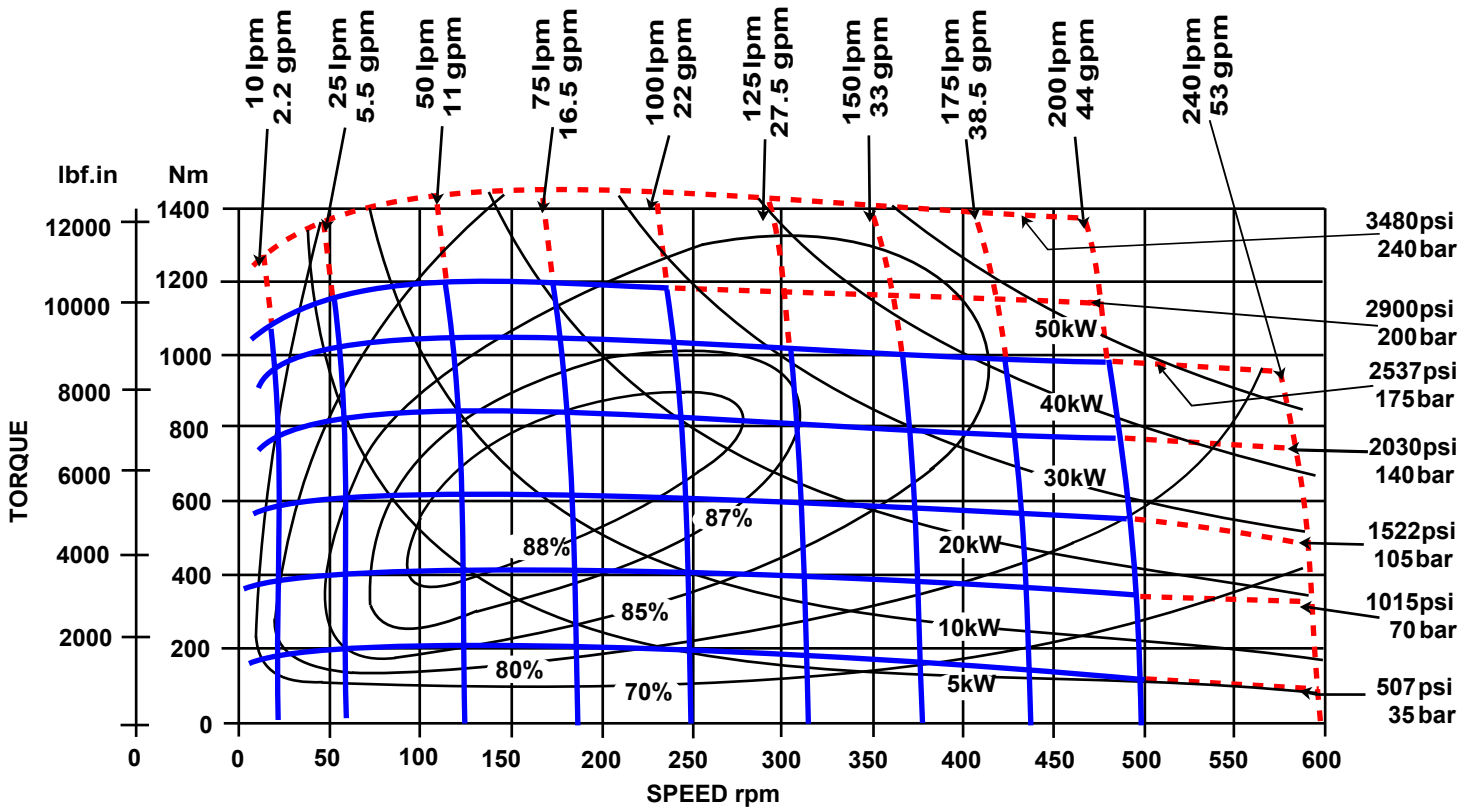
PERFORMANCE GRAPHS 300 & 400 cc MV SERIES

Solid blue lines represent continuous operation. Dotted red lines represent intermittent operation permissible for 10% of every minute. Maximum pressure drop and maximum speed must not occur simultaneously.

MVA 300



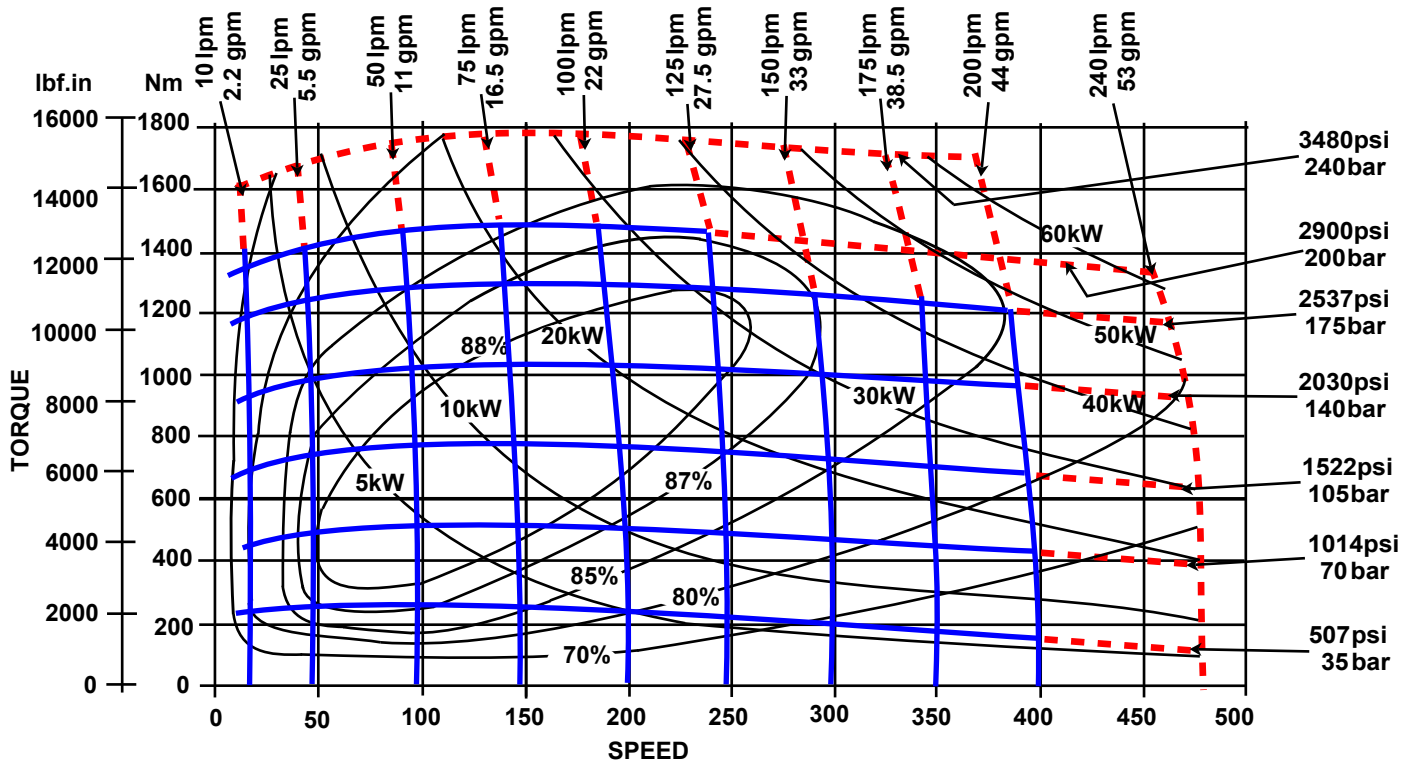
MVA 400



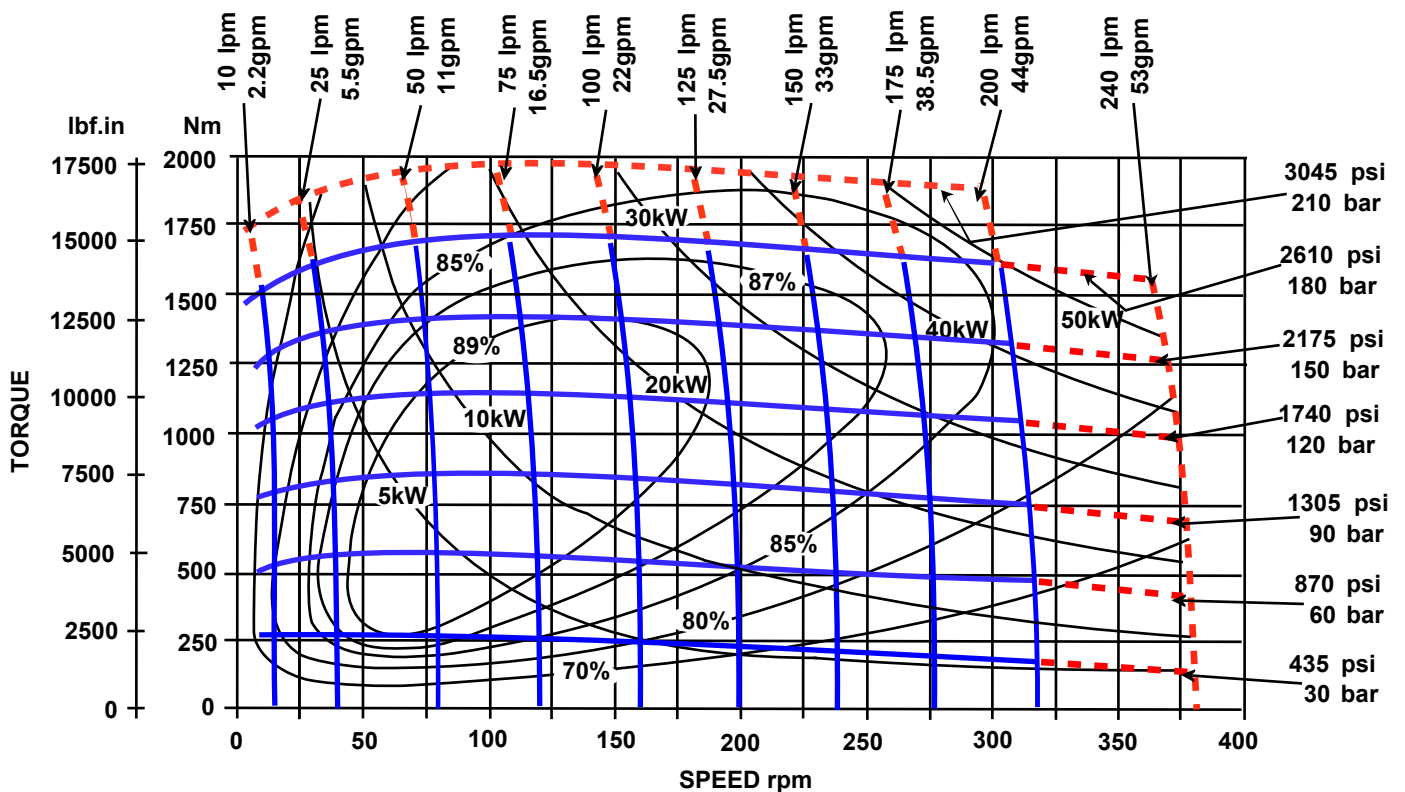
PERFORMANCE GRAPHS 500 & 630 cc MV SERIES

Solid blue lines represent continuous operation. Dotted red lines represent intermittent operation permissible for 10% of every minute. Maximum pressure drop and maximum speed must not occur simultaneously.

MVA 500

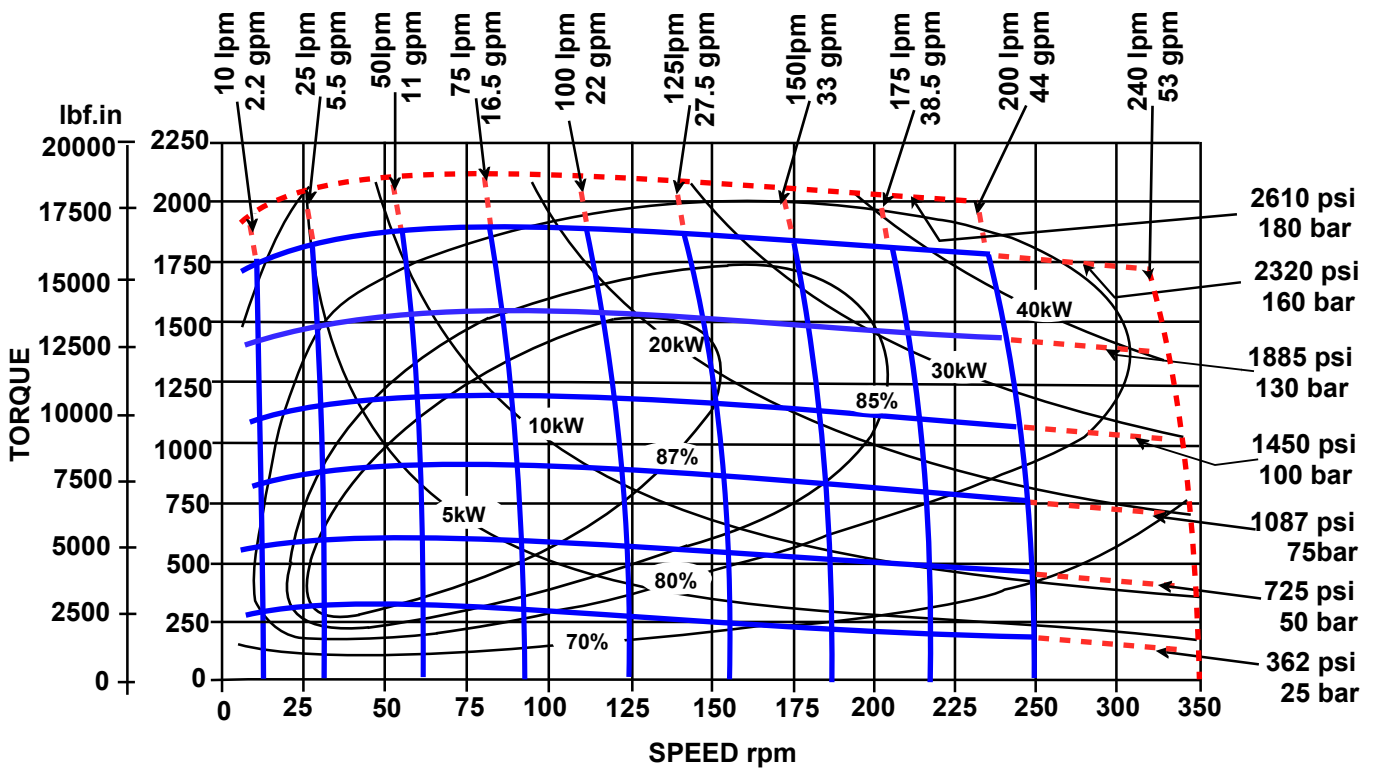


MVA 630

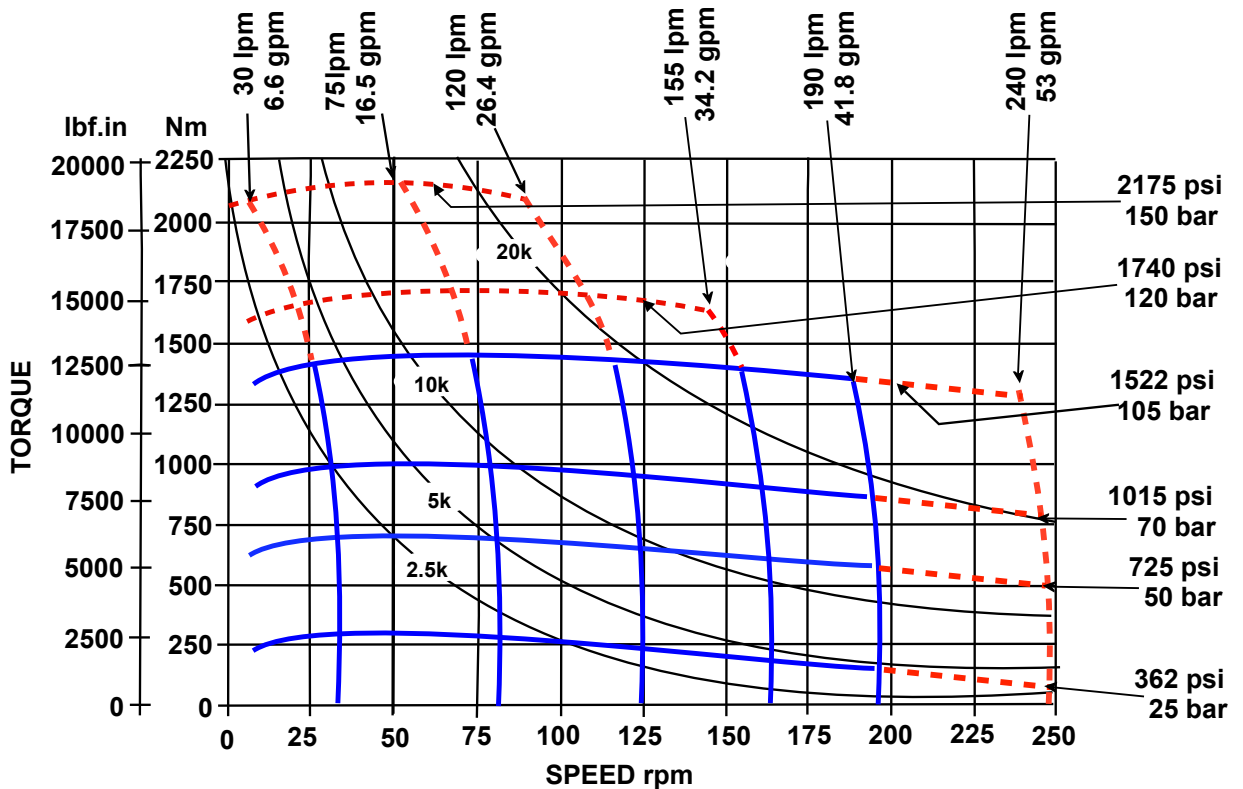


Solid blue lines represent continuous operation. Dotted red lines represent intermittent operation permissible for 10% of every minute. Maximum pressure drop and maximum speed must not occur simultaneously.

MVA 800



MVA 960



The policy of Adan Limited is one of continual development and the right is reserved to alter specifications without notice.



ADAN LIMITED
 RIVERSIDE IND. ESTATE BOSTON LINCOLNSHIRE ENGLAND
 Tel: +44 (01205) 311500 Fax: +44 (01205) 358013
 email: sales@adanltd.co.uk website: www.adanltd.co.uk

